

# 10G SFP/XFP Tunable Box

## Features

- SFP+ &XFP Wavelength Tuning
- SFP &XFP status Checking
- Friendly graphic user interface (GUI)
- 5V DC power supply
- Small form & full metal case
- Mini-USB connection
- GUI Operating environment:
  - Win XP 32bit
  - Win 7 32bit
  - Win8 64bit
  - Win10 64bit



## Applications

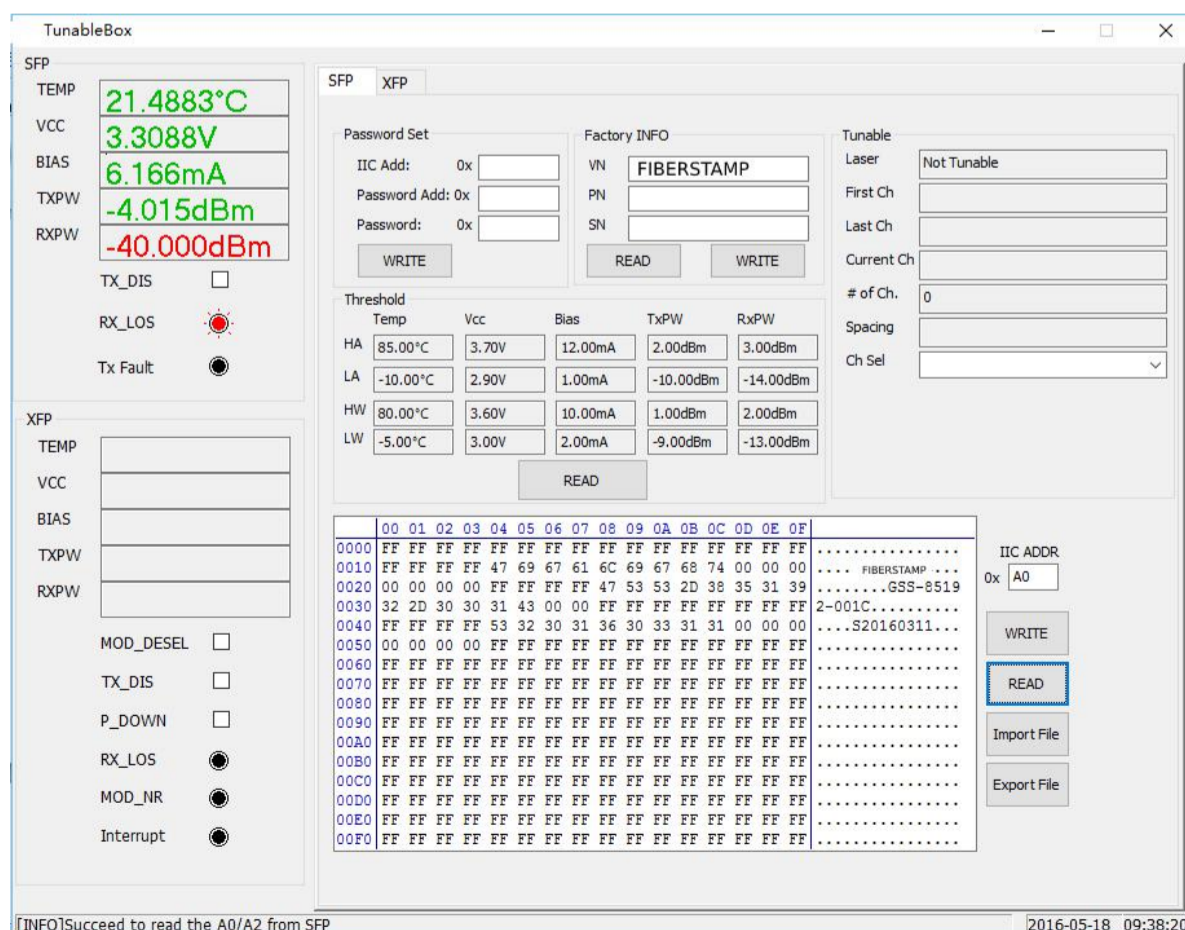
- Changing the wavelength of the Tunable SFP+ & XFP
- Reading and Writing the EEPROM of SFP & XFP module
- Checking the status of the module
- DDM monitor

## Description

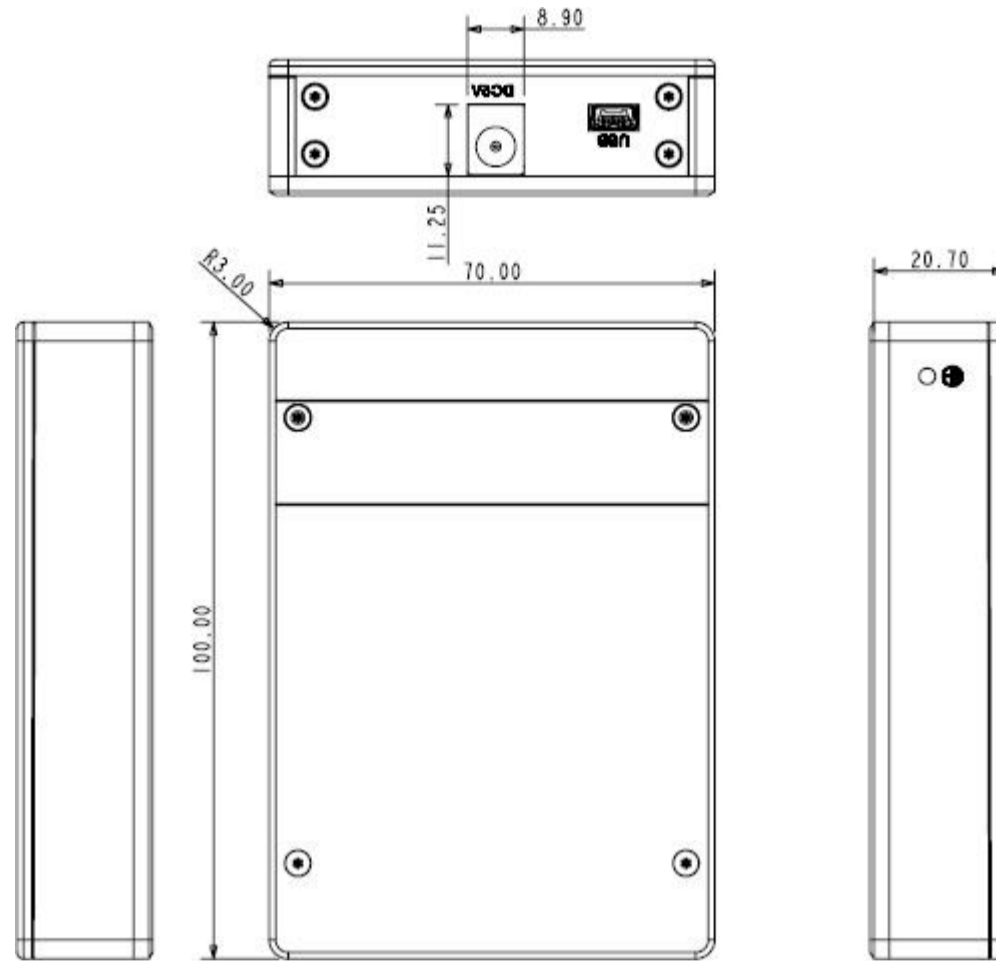
The “Tunable BOX” is designed to be used to change the wavelength of tunable SFP+ and XFP modules, monitor DDM information. It can also help you to read/write the internal memory EEPROM of the module and display details of the EEPROM (such as the Part Number, Vendor Name, description and range), change the EEPROM if you know the Write protect password.

## Tunable box GUI

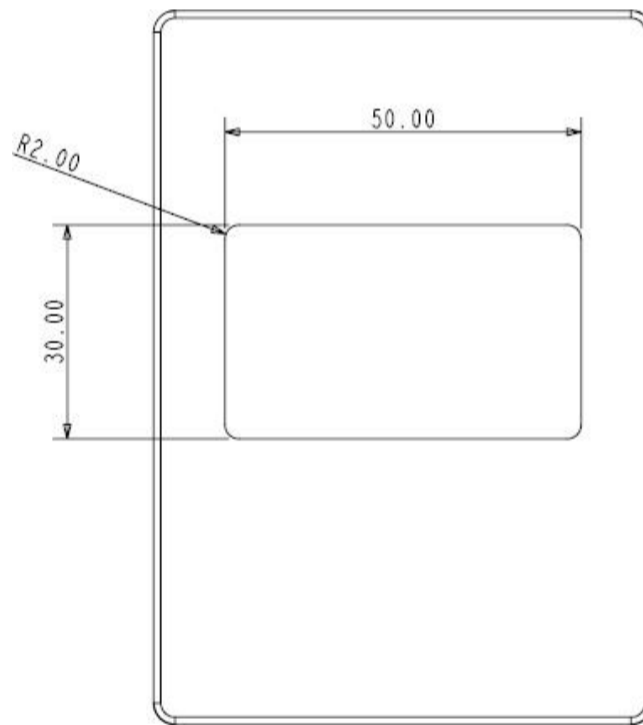
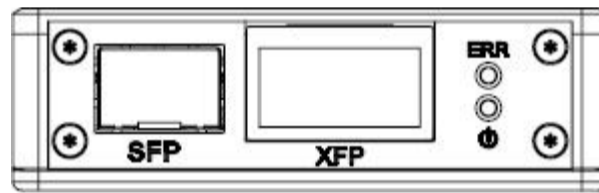
The FIBERSTAMP Tunable box GUI allows a user to read and modify the wavelength of the Tunable XFP or SFP+ module.



Hardware Configuration



Unit:mm



Unit:mm

USB: Mini USB, connected to PC

DC5V: DC Power

SFP: SFP Port, inserted SFP or SFP+ module

XFP: XFP Port, inserted XFP module

LED: ERR: reserved, no function

Power: power indicator,

Green: power OK

Off: NO power



**Absolute Maximum Ratings**

Parameter	Symbol	Min	Max	Unit
Supply Voltage	Vcc	-0.5	6	V
Storage Temperature	Ts	-10	+70	°C

**Technical Specifications**

Parameter	Symbol	Min	Typical	Max	Unit
Operating Temperature	Tc	0		+50	°C
Operating Humidity	-	5		75 non-condensing	%
Power Supply Voltage	Vcc	4.5	5	5.5	V
Physical Dimensions		100(W)x70(D) x21(H)			mm

**Appendix**

ONE USB cable

ONE Power Adapter

**Operation procedure**

1. Connected the power
2. Connected the USB to PC
3. Click TunableBox.exe and launch the GUI

**Important Notice**

Performance figures, data and any illustrative material provided in this data sheet are typical and must be Specifically confirmed in writing by FIBERSTAMP before they become applicable to any particular order or contract. In accordance with the FIBERSTAMP policy of continuous improvement specifications may change without notice.

The publication of information in this data sheet does not imply freedom from patent or other protective rights of FIBERSTAMP or others. Further details are available from any FIBERSTAMP sales representative.

