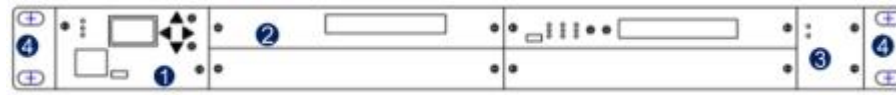


25G OEO Card

1 Machine frame information

1.1 Machine frame appearance description

1.1.1 1U Machine frame



1U Front panel



1U Side panel



1U Back panel

Explain:

- ①NMU card slot
- ②Business card slot,maximum support four business cards, our business cards all can be mixed interpolation and hot swappable
- ③Fan slot,Support for fan hot swap and independent replacement
- ④Scalable lug ⑤Lug instillation position ⑥Side vent
- ⑦Power 1 slot,can plug in AC power supply or DC power supply, support hot swap
- ⑧Power 2 slot,can plug in AC power supply or DC power supply, support hot swap
- ⑨Grounding screw

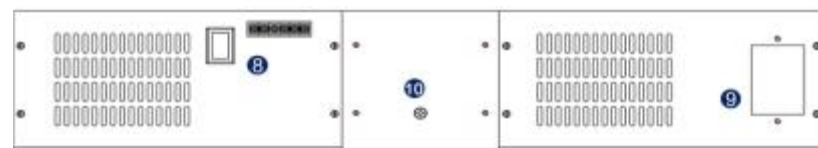
1.1.2 2U Machine frame



2U Front panel



2U Side panel

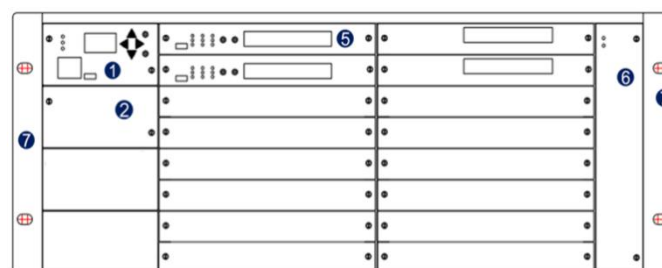


2U Back panel

Explain:

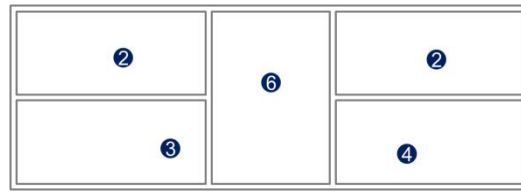
- ①NMU card slot
- ②Expansion slot,can plug in eight Ethernet switch cards or other cards
- ③Business card slot,maximum support eight business cards,all our business card can be mixed interpolation,hot swappable
- ④Fan slot,Support for fan hot swap and independent replacement
- ⑤Scalable lug ⑥Lug instillation position ⑦Side vent
- ⑧Power 1 slot,can plug in AC power supply or DC power supply, support hot swap
- ⑨Power 2 slot,can plug in AC power supply or DC power supply, support hot swap
- ⑩Grounding screw

1.1.3 4U Machine frame



4U Front panel





4U Back panel

Explain:

- ①NMU card slot
- ②Expansion slot,can plug in eight Ethernet switch cards or other cards
- ③Power 1 slot,can plug in AC power supply or DC power supply, support hot swap
- ④Power 2 slot,can plug in AC power supply or DC power supply, support hot swap
- ⑤Business card slot,maximum support sixteen business cards,all our business card can be mixed interpolation,hot swappable
- ⑥Fan slot,Support for fan hot swap and independent replacement
- ⑦Scalable lug

1.2 Machine frame correlation parameter

| Parameters | | Unit | Specifications |
|-------------------------|----------------------|------|--------------------------|
| Environmental parameter | Working temperature | °C | -10~ 60°C |
| | Storage temperature | °C | -40°C~ 85°C |
| | Relative temperature | °C | 5% ~ 95% No condensation |
| Size | 1U | mm | 482.6W×300D×44.5H |
| | 2U | mm | 482.6W×300D×86H |
| | 4U | mm | 482.6W×300D×176H |
| Power Supply | AC | V | 100~240,50~60hz |
| | DC | V | 36~72 |
| Consumption | 1U | W | < 50(Max) |
| | 2U | W | <100(Max) |
| | 4U | W | <200(Max) |

1.3 Machine Frame Component

1.3.1 Network management

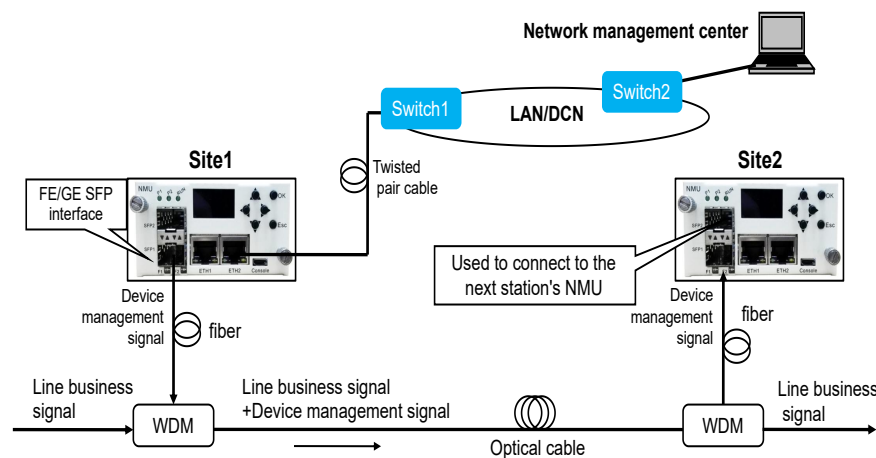
1.3.1.1 NMU instructions

- ①Equipment status indicator: P1(Power1)、P2(Power2)、RUN
- ②HD dual color LCD display screen
- ③Operation keys
- ④Ethernet communication interface
- ⑤Micro USB equipment upgrade interface
- ⑥Optical transceiver slot(Support 100/1000Mbps SFP)
- ⑦Optical transceiver working status indicator



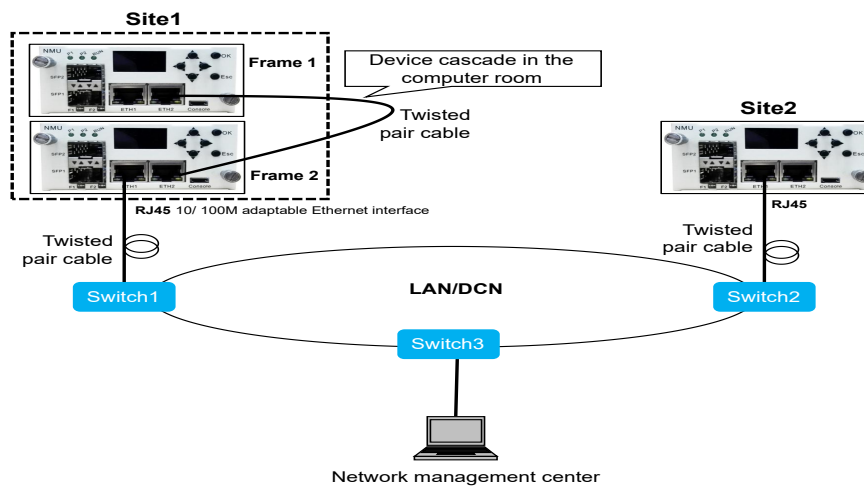
Note:(1)Equipment state,card performance can be visible completely;
(2)Card parameters can be set by panel.

- The equipment management signal and business signal use the same optical fiber transmission

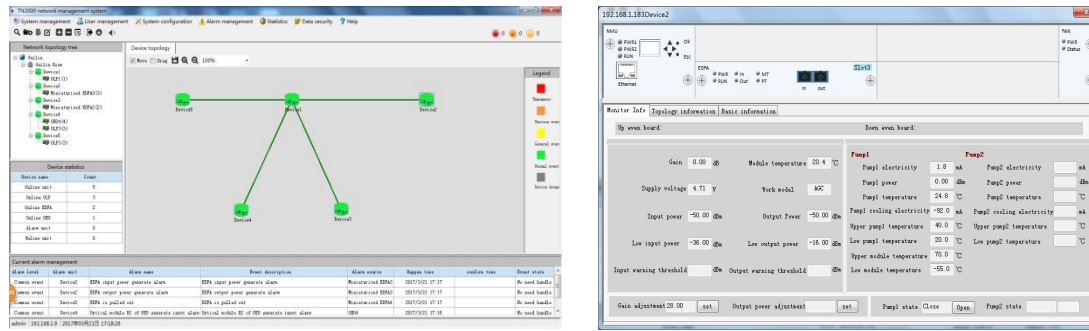


- Equipment management signal and business signal are transmitted independently

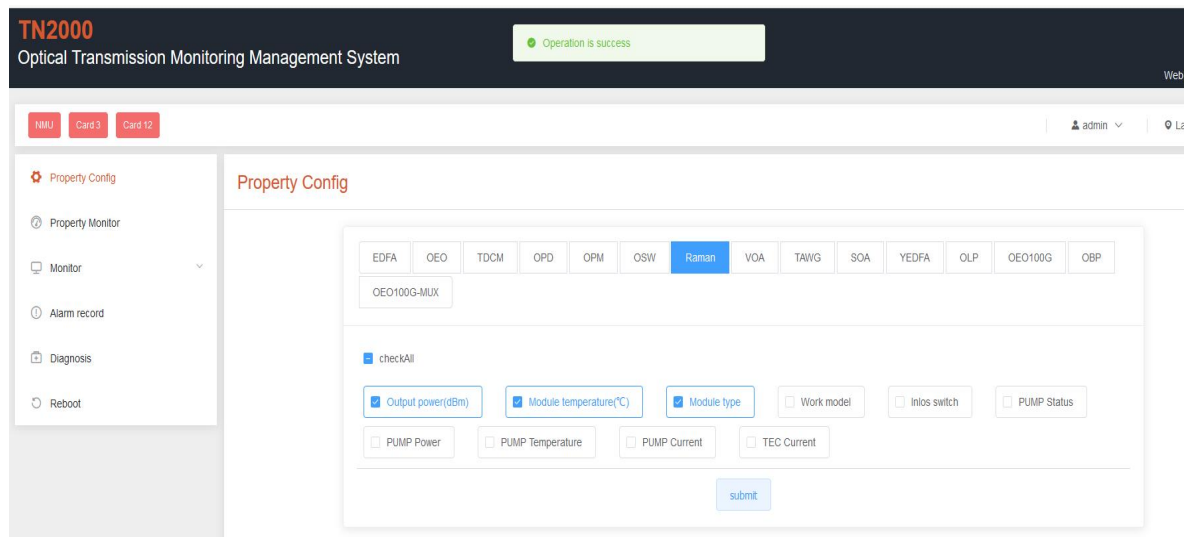




1.3.1.2 Professional integrated network management Software



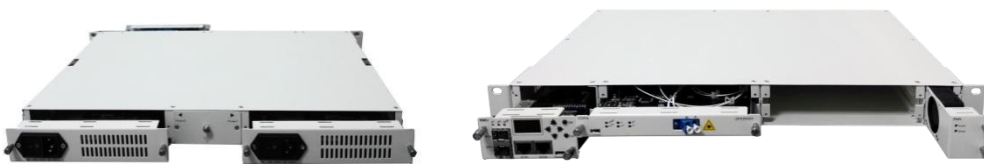
1.3.1.3 Web management



1.3.2 Equipment management

- Equipment state, card performance can be visible completely
- Card parameters can be set by panel
- Support in or out of band network management
- Supports SNMP, Client

1.3.3 Product mix

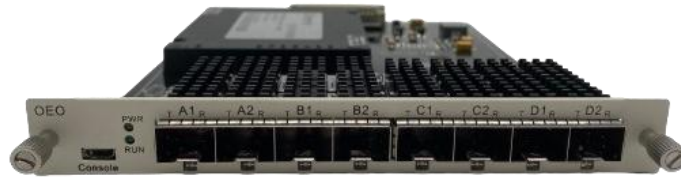


Note: Customers can configure 2U and 4U boxes according to requirements.

| Parameters | Unit | Specifications | Remark | |
|---------------|------|----------------|-------------------|----------------------|
| Card capacity | 1U | pcs | Max 4 | For only 1 slot card |
| | 2U | pcs | Max 8 | |
| | 4U | pcs | Max 16 | |
| Size | 1U | mm | 482.6W×300D×44.5H | 19" |
| | 2U | mm | 482.6W×300D×86H | 19" |
| | 4U | mm | 482.6W×300D×176H | 19" |

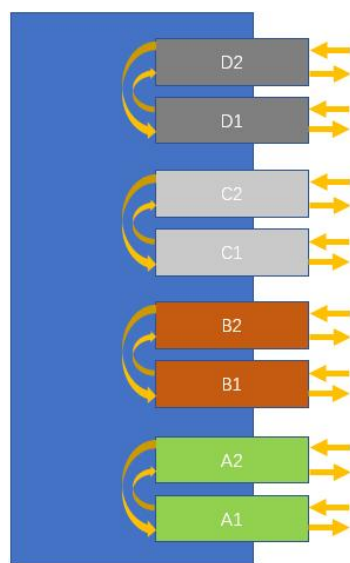
2 Card information

25G OEO card



2.1 Product Description

OEO is optical signal regeneration conversion equipment based on the principle of O-E-O. The product is applied to 25.5~28.1Gbps signal wavelength conversion, single mode conversion, relay amplification, signal regeneration, Can be applied to 25G/100G optical communication data and transmission fields.



2.2 Product Applications

- Data Network
- C/DWDM

2.3 Product Features

- Rate access: 25.5~28.1Gbps
- Service access: Ethernet, FC, etc.
- Support 3R function
- Single card supports 4-channel two-way/4-channel one-way business processing
- High level of integration by plug-in design, which saves space of cabinet
- Expansion is very convenient

2.4 Performance Index

| Parameters | Unit | Specifications |
|----------------------------------|------|----------------|
| Access signal rate | Gbps | 25.5~28.1 |
| Signal mode | ---- | SM/MM |
| Optical transceiver package | ---- | SFP28 |
| Optical transceiver slot numbers | ---- | 8 |
| Two-way service channel numbers | ---- | 4 |
| Extinction ratio | dB | ≥6 |
| SMSR | dB | > 30 |
| Consumption | W | <20 |

