

10G SFP+ Checker

Features

- 8.5G, 9.95~11.3Gbps BERT
- Optical Power Meter:1270~1610nm(850nm Optional)
- SFP status checker
- Friendly graphic user interface (GUI)
- 1 port SFP TX&RX ,1 port SFP TX
- 5V DC power supply
- Small form & full metal case
- Mini-USB connection



Applications

- Bit error rate test
- Optical transmitting power measurement
- SFP transceiver supply current measurement
- Optical reference signal
- GUI Operating environment: Win XP, Win 7, Win8 and Win10 64BIT

Description

The 10G SFP+ Checker is an instrument which can help you to read the internal memory EEPROM of the SFP+ module and display details of the EEPROM such as the Part Number, Vendor Name, description and range. The SFP+ Checker can be used to monitor all DDM information You can change the EEPROM if you know the module password using the 10G SFP+ Checker.

The 10G SFP+ Checker combines the Serial Pattern Generator, Bit Error Rate Analyzer. It provides common transmission rate for 8x Fiber Channel, OC-192 and 10G Ethernet. The optical power can be measured by FC connector optical sensor.

The friendly graphic user interface (GUI) provides clear monitoring for bit error rate, bit error counter, timer, SFP status, optical power from the sensor and selection of data rate and PRBS.

Absolute Maximum Ratings

Parameter	Symbol	Min	Max	Unit
Supply Voltage	Vcc	-0.5	6	V
Storage Temperature	Ts	-10	+70	°C

Technical Specifications

Parameter	Symbol	Min	Typical	Max	Unit
Operating Case Temperature	Standard Tc	0		+50	°C
Operating Humidity	-	5		85 non-condensing	%
Power Supply Voltage	Vcc	4.5	5	5.5	V
Physical Dimensions		100(W)x70(D) x21(H)			mm

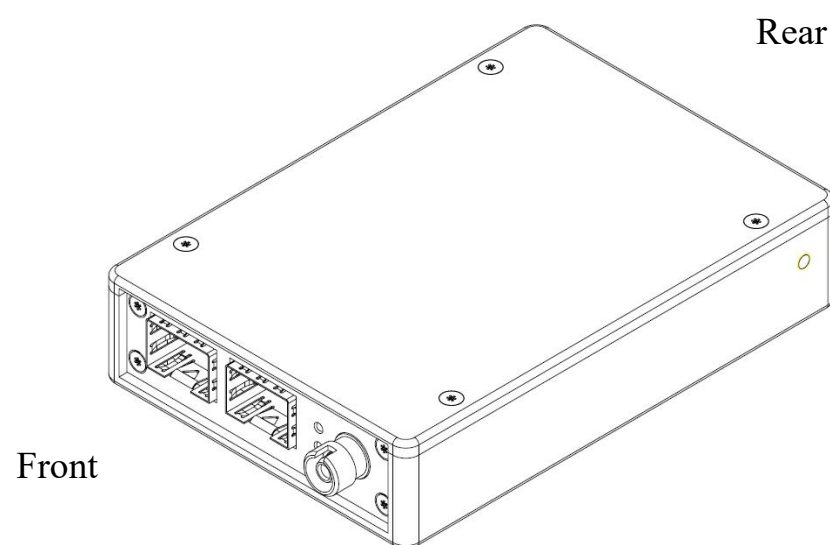
* Excluding SFP Transceivers.



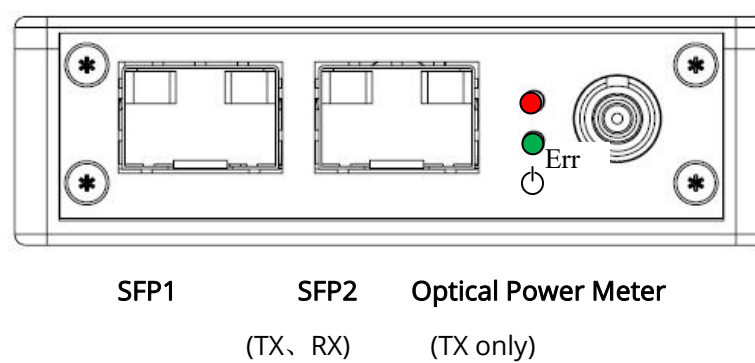
Optical and Electrical Characteristics

Main Frame	
SFP ports	Standard SFP 20pin with Cage
Transmission rate	10GbE: 10.3125Gbps G709: 10.709Gbps 8G Fibre Channel: 8.5Gbps 10G Fibre Channel: 10.51875Gbps 10GbE FEC: 11.1Gbps 10GFibre Channel FEC: 11.318Gbps OC192: 9.95328Gbps
Pattern Generator	PRBS7, PRBS9, PRBS21, PRBS23, PRBS31
Trigger out level	CML(AC Coupling)
Optical Sensor	
Input Wavelength	1270nm~1610nm (830~870 nm Optional)
Input Optical Power Range	-40 dBm ~ +8 dBm
Accuracy	±0.5dB
SFP supply current measured	
supply current	0~600 mA
Accuracy	±5%

Hardware Configuration



Front Panel



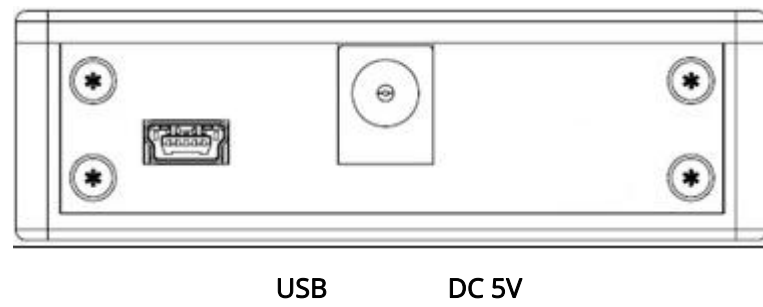
Front Panel Description

LED	Display	Description
⏻	Off	No power
	Green	Power OK

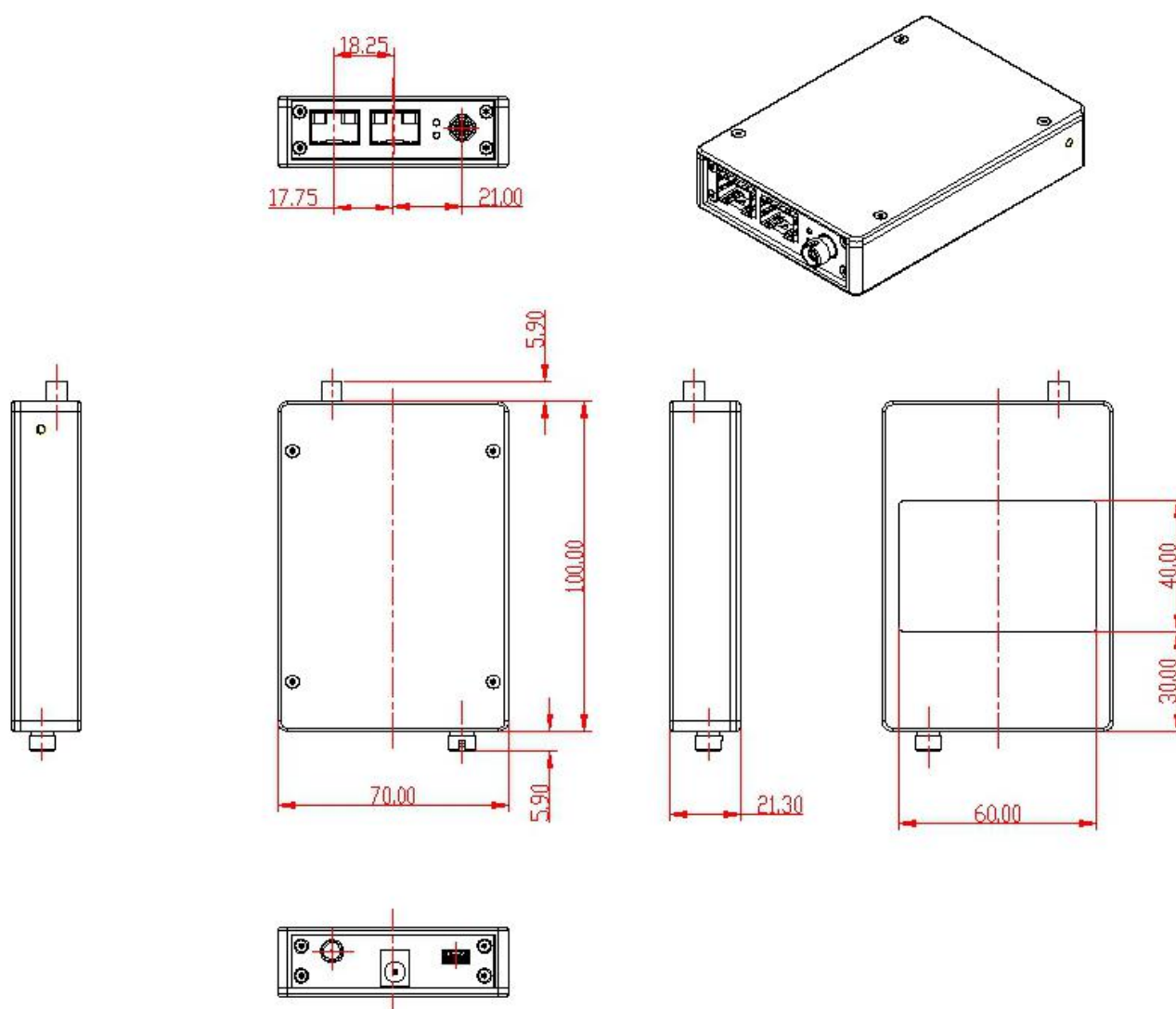


LED	Display	Description
Err	Off	pass
	Red	Bit Error
	Flash	No SYNC

Rear Panel Description



Mechanical Dimensions



Ordering information

Part Number	Product Description
10G SFP+ CHECK	The SFP Checker is an test instrument which combines 8.5Gbps,9.95~11.3Gbps Bit error rate test, Optical power meter, DDM Checking, EEPROM coding function, etc.

Important Notice

Performance figures, data and any illustrative material provided in this data sheet are typical and must be Specifically confirmed in writing by FIBERSTAMP before they become applicable to any particular order or contract. In accordance with the FIBERSTAMP policy of continuous improvement specifications may change without notice.

The publication of information in this data sheet does not imply freedom from patent or other protective rights of FIBERSTAMP or others. Further details are available from any FIBERSTAMP sales representative.

